

# INDUSTRIAL VALVE AND ENGINEERING SUPPLIES (Pty) Ltd.

VEMCO (Pty) Ltd

HEAD OFFICE: 114 PLANE ROAD, SPARTAN, GAUTENG.

DURBAN BRANCH: 499 SYDNEY RD, HARBOUR BRIDGE PARK

NELSPRUIT BRANCH: 19 TABAK STREET

TEL: 27-11-394-2066 (21 LINES)

UNIT 14, DURBAN

NELSPRUIT

FAX: 27-11-394-2476

TEL: 27-31-205-0218

TEL: 27-13-752-2372

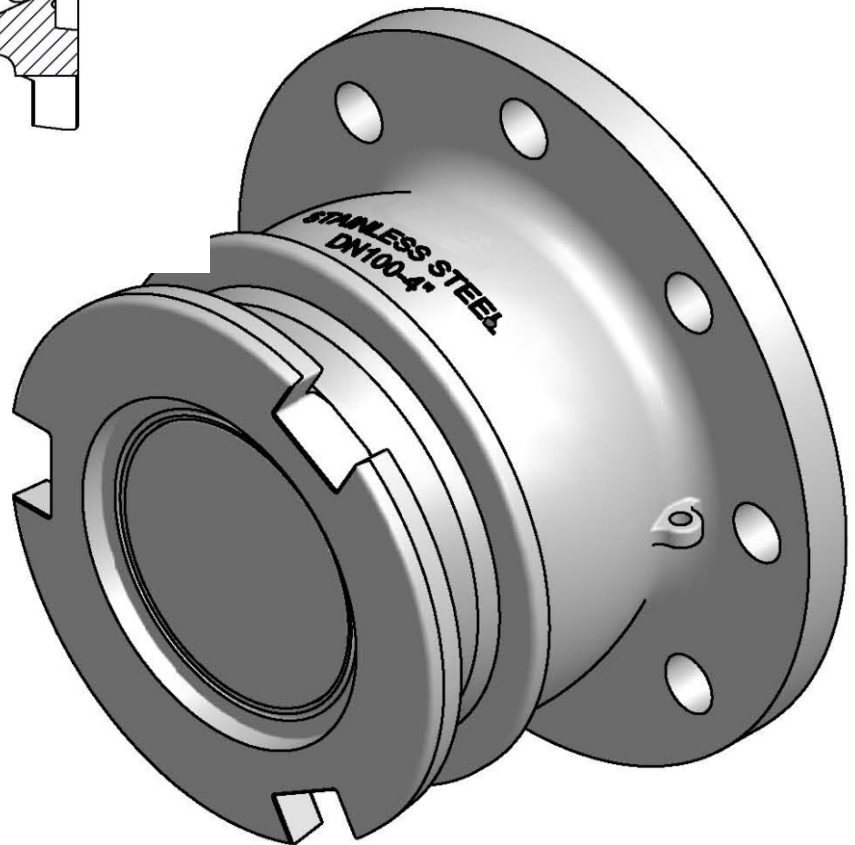
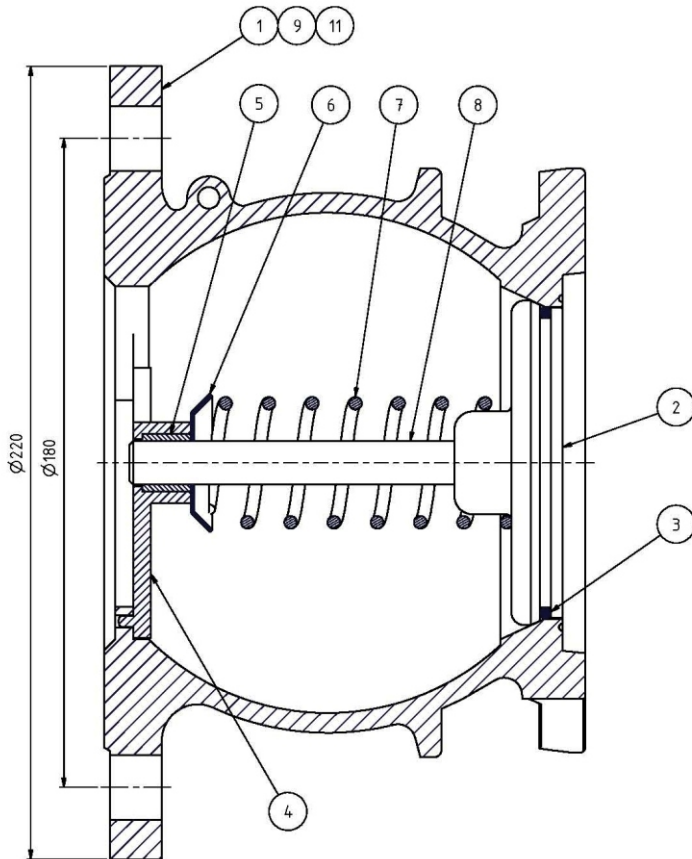
WWW: [www.industrialvalve.co.za](http://www.industrialvalve.co.za)

FAX: 27-31-205-0210

FAX: 27-13-752-8079



## SS TANK UNIT DRY BREAK COUPLING



ALL SPECIFICATIONS ARE SUBJECT TO CHANGE WITHOUT NOTICE

*Break Away*  
VALVES

# TECHNOLOGY AT ITS BEST