

# INDUSTRIAL VALVE AND ENGINEERING SUPPLIES (Pty) Ltd. / VEMCO (Pty) Ltd

VAT REG NO: 4280104276 CO REG NO 83/05965/07

VAT REG NO:4200211854 CO REG NO 1979/002851/07



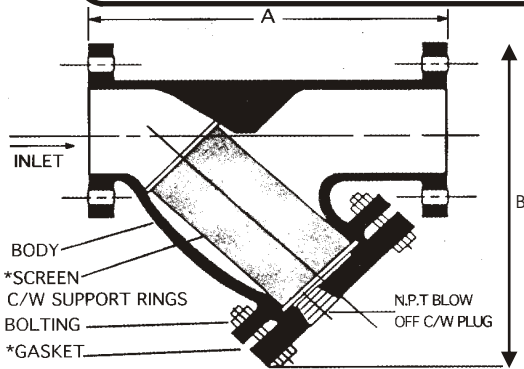
Head Office: 114 Plane Road, Spartan, Gauteng  
 Tel: 27-11-394-2066 (21 LINES)  
 Fax: 27-11-394-2476  
 E-Mail: industrialvalve@futurejhb.co.za  
 Web: www.industrialvalve.co.za

Durban: 499 Sydney Rd, Harbour Bridge Park  
 Unit 14, Durban  
 Tel: 27-31-205-0218  
 Fax: 27-31-205-0210  
 E-Mail: iveskzn@futurejhb.co.za

Nelspruit: 19 Tabak Str  
 Nelspruit  
 Tel: 27-13-752-2372  
 Fax: 27-13-752-8079  
 E-Mail: ivesnelspruit@industrialvalve.co.za



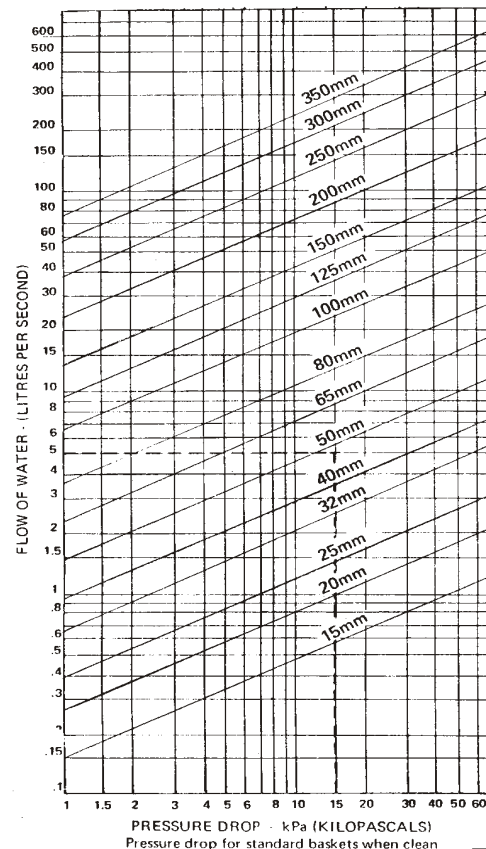
## FIG 7754FI CAST IRON FLANGED Y STRAINER



\*Denotes recommended spare parts

SIZE (MM)	A	B	BLOW OFF NPT (MM)	WEIGHT KG
40	200	246	15	8
50	230	220	15	11
65	290	265	25	14
80	310	320	25	19
100	350	351	25	26
125	400	417	32	38
150	465/475	461	32	60
200	600	586	32	99
250	730	684	32	150
300	850	788	32	212
350	985	890	32	256

### FLOW CHART



### MATERIALS LIST

ITEM	PART NAME	MATERIAL
1	BODY	C.I. ASTM A126 CL.B
2	COVER	C.I. ASTM A126 CL.B
3	SCREEN	S.S. AISI 304
4	GASKET	PTFE/GRAPHITE
5	PLUG	C.I. ASTM A126 CL.B

### STANDARD SCREENS

SIZE (MM)	OPENING	STD MESH/PERF
50-80	0.045 INCHES	3/64 INCH PERF
100-500	0.125 INCHES	1/8 INCH PERF

### OPERATING PRESSURES AND TEMPERATURES

50MM-300MM: STEAM 9 BAR @230 DEG C
350MM-500MM: STEAM 9 BAR @120 DEG C
50MM-300MM: W.O.G. 16 BAR @65 DEG C
350MM-500MM: W.O.G. 10 BAR @65 DEG C

ALL SPECIFICATIONS ARE SUBJECT TO CHANGE WITHOUT NOTICE

Break Away VALVES

# TECHNOLOGY AT ITS BEST