

INDUSTRIAL VALVE AND ENGINEERING SUPPLIES (Pty) Ltd. / VEMCO (Pty) Ltd

VAT REG NO: 4280104276 CO REG NO 83/05965/07

VAT REG NO:4200211854 CO REG NO 1979/002851/07



Head Office: 114 Plane Road, Spartan, Gauteng
 Tel: 27-11-394-2066 (21 LINES)
 Fax: 27-11-394-2476
 E-Mail: industrialvalve@futurejhb.co.za
 Web: www.industrialvalve.co.za

Durban: 499 Sydney Rd, Harbour Bridge Park
 Unit 14, Durban
 Tel: 27-31-205-0218
 Fax: 27-31-205-0210
 E-Mail: iveskzn@futurejhb.co.za

Nelspruit: 19 Tabak Str
 Nelspruit
 Tel: 27-13-752-2372
 Fax: 27-13-752-8079
 E-Mail: ivesnelspruit@industrialvalve.co.za



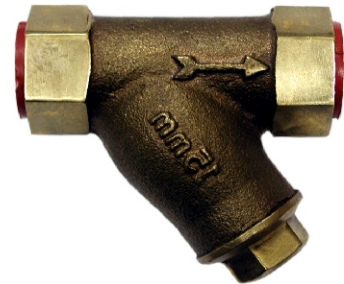
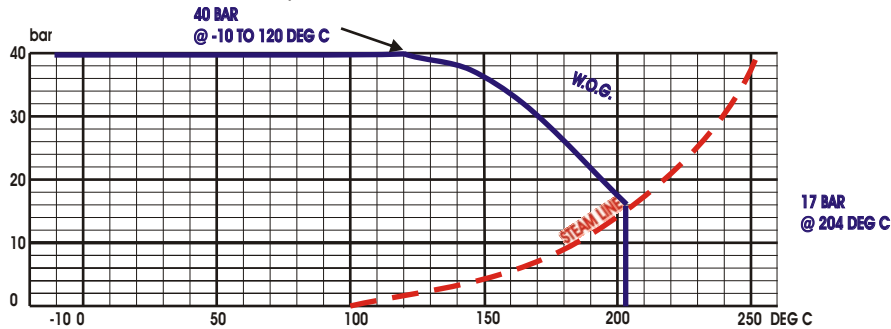
FIG 2380G BREAKAWAY BRONZE STRAINER - S/S SCREEN 17 BAR STEAM

FEATURES

CONFORMS TO BS 5154
 BS 21 TAPER THREADS
 SPARE SCREENS AVAILABLE ON REQUEST

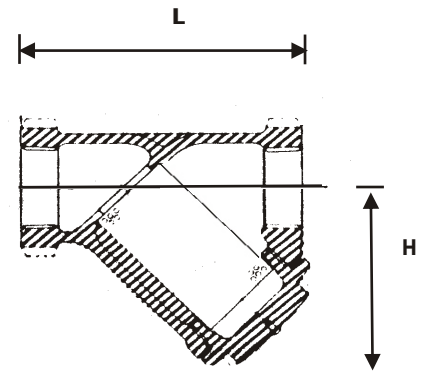
MAX WORKING PRESSURE NON SHOCK		HYDROSTATIC TEST PRESSURE	
MAX STEAM	17 BAR @ 204 DEG C	SHELL	SEAT
MAX W.O.G.	40 BAR @ -10 TO 120 DEG C	60 BAR	44 BAR
	17 BAR @ 204 DEG C		

PRESSURE/TEMPERATURE RATINGS



ITEM	SPECIFICATION
BODY	BZ-BS1400LG2C
BODY CAP	BZ-BS1400LG2C
SCREEN	410 SS
GASKETS	COMPRESSED ASBESTOS

SIZE BSP	L	H	MASS KG
8			
10			
15	71	52	0.4
20	97	72	0.75
25	118	85	1.25
32	148	95	1.8
40	168	115	2.75
50	210	135	3.75



ALL SPECIFICATIONS ARE SUBJECT TO CHANGE WITHOUT NOTICE

Break Away
VALVES

TECHNOLOGY AT ITS BEST