

# INDUSTRIAL VALVE AND ENGINEERING SUPPLIES (Pty) Ltd. / VEMCO (Pty) Ltd

VAT REG NO: 4280104276 CO REG NO 83/05965/07

VAT REG NO:4200211854 CO REG NO 1979/002851/07



Head Office: 114 Plane Road, Spartan, Gauteng  
 Tel: 27-11-394-2066 (21 LINES)  
 Fax: 27-11-394-2476  
 E-Mail: industrialvalve@futurejhb.co.za  
 Web: www.industrialvalve.co.za

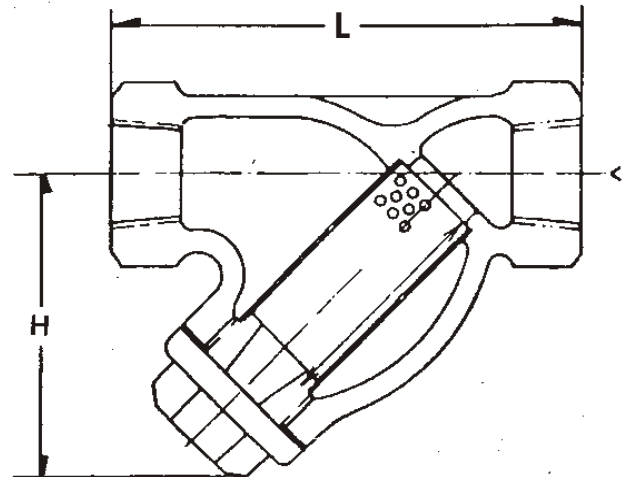
Durban: 499 Sydney Rd, Harbour Bridge Park  
 Unit 14, Durban  
 Tel: 27-31-205-0218  
 Fax: 27-31-205-0210  
 E-Mail: iveskzn@futurejhb.co.za

Nelspruit: 19 Tabak Str  
 Nelspruit  
 Tel: 27-13-752-2372  
 Fax: 27-13-752-8079  
 E-Mail: ivesnelspruit@industrialvalve.co.za



## FIG 12

## CAST IRON SCREWED Y STRAINER



DIMENSION		mm							
Size	inch	1/2	3/4	1	1 1/4	1 1/2	2	2 1/2	3
	mm	15	20	25	32	40	50	65	80
L		90	140	125	140	140	170	215	240
H		60	70	85	100	105	125	145	165
WEIGHT (KG)		0.5	1.1	1.5	2.5	2.9	4.7		

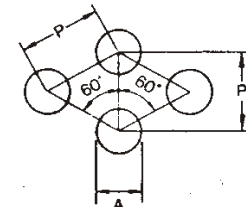
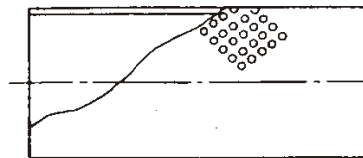
### MATERIAL

Model:	YS-R3S	
Body	CAST IRON	ASTM A126 CLB
Cap	CAST IRON	ASTM A126 CLB
Screen	S.S. 304	
Gasket	ASBESTOS	
Plug	SS 41	

Working pressure: 10 Bar W.O.G

Test Pressure: Body 20Kgf/cm<sup>2</sup> (Hydrostatic)

Thread: BS21, ANSI B2.1 or DIN-259.



SCREEN HOLE SIZE		mm		
Size	A	P	T	
1/2" - 1"	1	2	0.6	
1-1/4" - 3"	2	3.5	0.6	

ALL SPECIFICATIONS ARE SUBJECT TO CHANGE WITHOUT NOTICE

*Break Away*  
VALVES

# TECHNOLOGY AT ITS BEST