

INDUSTRIAL VALVE AND ENGINEERING SUPPLIES (Pty) Ltd. / VEMCO (Pty) Ltd

VAT REG NO: 4280104276 CO REG NO 83/05965/07

VAT REG NO:4200211854 CO REG NO 1979/002851/07



Head Office: 114 Plane Road, Spartan, Gauteng
 Tel: 27-11-394-2066 (21 LINES)
 Fax: 27-11-394-2476
 E-Mail: industrialvalve@futurejhb.co.za
 Web: www.industrialvalve.co.za

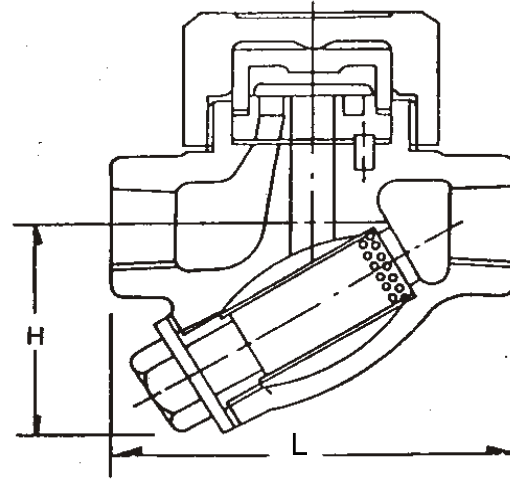
Durban: 499 Sydney Rd, Harbour Bridge Park
 Unit 14, Durban
 Tel: 27-31-205-0218
 Fax: 27-31-205-0210
 E-Mail: iveskzn@futurejhb.co.za

Nelspruit: 19 Tabak Str
 Nelspruit
 Tel: 27-13-752-2372
 Fax: 27-13-752-8079
 E-Mail: ivesnelspruit@industrialvalve.co.za



FIG 20

THERMODYNAMIC STEAM TRAP CAST IRON



DIMENSION		mm		
Size	inch	1/2	3/4	1
	mm	15	20	25
L		96	105	115
H		56	65	70
Weight Kg		1.3	1.6	2.1

CAPACITY		Kgf/H											
P kg/cm ²	0.3	0.6	1	2	3	4	5	6	8	10	12	14	16
15	160	205	250	320	380	420	460	490	540	590	630	660	690
20	230	295	360	460	530	590	640	690	770	840	900	960	1000
25	290	380	460	590	680	760	820	880	980	1060	1130	1200	1260

MATERIAL	
Model:	ST-8LS
Body	Cast Iron ASTM A126 B
Bonnet/Plug	Cast Iron ASTM A126 B
Seat	SS 410
Disc	SS 304
Seal	PTFE
Packing	PTFE
Screen	SS 304

Test Pressure: Body 32 Kgf/cm² (Hydrostatic)
 Working Pressure: 0.3 Kgf/cm² – 16 Kgf/cm²
 Temperature: 220°C
 Thread: BS21

ALL SPECIFICATIONS ARE SUBJECT TO CHANGE WITHOUT NOTICE

Break Away
VALVES

TECHNOLOGY AT ITS BEST