

INDUSTRIAL VALVE AND ENGINEERING SUPPLIES (Pty) Ltd. / VEMCO (Pty) Ltd

VAT REG NO: 4280104276 CO REG NO 83/05965/07

VAT REG NO:4200211854 CO REG NO 1979/002851/07



Head Office: 114 Plane Road, Spartan, Gauteng
 Tel: 27-11-394-2066 (21 LINES)
 Fax: 27-11-394-2476
 E-Mail: industrialvalve@futurejhb.co.za
 Web: www.industrialvalve.co.za

Durban: 499 Sydney Rd, Harbour Bridge Park
 Unit 14, Durban
 Tel: 27-31-205-0218
 Fax: 27-31-205-0210
 E-Mail: iveskzn@futurejhb.co.za

Nelspruit: 19 Tabak Str
 Nelspruit
 Tel: 27-13-752-2372
 Fax: 27-13-752-8079
 E-Mail: ivesnelspruit@industrialvalve.co.za



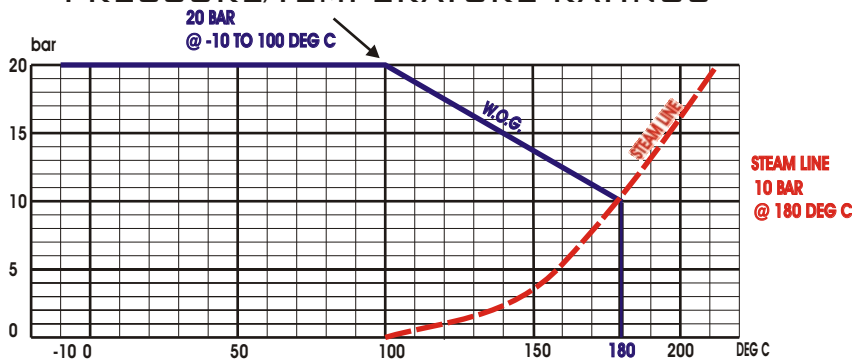
FIG 1220E BREAKAWAY BRONZE GLOBE VALVE - PTFE TRIM 10 BAR STEAM

FEATURES

CONFORMS TO BS 5154
 RISING SPINDLE
 REPLACEABLE AND REVERSIBLE PTFE SEAT
 BACK SEAT FOR REPACKING UNDER PRESSURE
 UNION BONNET
 BS 21 TAPER THREADS
 DEEP STUFFING BOX
 PTFE PREFORMED GLAND PACKING
 SPARES AVAILABLE

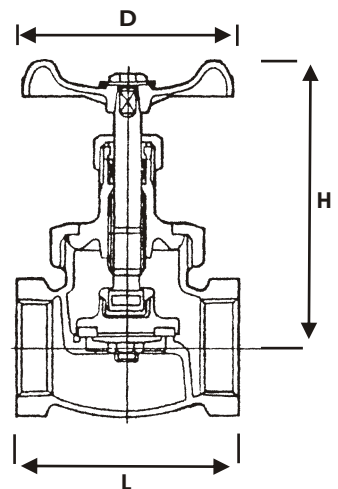
| MAX WORKING PRESSURE NON SHOCK | | HYDROSTATIC TEST PRESSURE | |
|-----------------------------------|---------------------------|------------------------------|--------|
| MAX STEAM | 10 BAR @ 180 DEG C | SHELL | SEAT |
| MAX W.D.G. | 20 BAR @ -10 TO 100 DEG C | 37 BAR | 25 BAR |
| | 10 BAR @ 180 DEG C | | |

PRESSURE/TEMPERATURE RATINGS



| ITEM | SPECIFICATION |
|--------------|---------------|
| HANDWHEEL | CAST IRON |
| WHEEL NUT | BR-BS2872 |
| NAME PLATE | AL-BS1470 |
| STEM | BR-BS2874 |
| GLAND NUT | BR-BS2872 |
| GLAND RING | BR-BS2874 |
| PACKING | PTFE |
| BONNET | BZ-BS1400LG2C |
| UNION | BR-BS2872 |
| BODY | BZ-BS1400LG2C |
| SEAT | BZ-BS1400LG2C |
| CLACK HOLDER | BR-BS2874 |
| CLACK NUT | BR-BS2872 |
| CLACK SEAT | PTFE |

| SIZE BSP | L | H | D | MASS KG |
|-------------|-----|-----|-----|------------|
| 8 | | | | |
| 10 | | | | |
| 15 | 55 | 100 | 58 | 0.4 |
| 20 | 66 | 113 | 68 | 0.75 |
| 25 | 75 | 134 | 71 | 1.15 |
| 32 | 87 | 155 | 81 | 1.5 |
| 40 | 100 | 172 | 96 | 2.4 |
| 50 | 120 | 201 | 104 | 3.1 |



ALL SPECIFICATIONS ARE SUBJECT TO CHANGE WITHOUT NOTICE

Break Away
VALVES

TECHNOLOGY AT ITS BEST