

# INDUSTRIAL VALVE AND ENGINEERING SUPPLIES (Pty) Ltd. / VEMCO (Pty) Ltd

VAT REG NO: 4280104276 CO REG NO 83/05965/07

VAT REG NO:4200211854 CO REG NO 1979/002851/07



Head Office: 114 Plane Road, Spartan, Gauteng  
 Tel: 27-11-394-2066 (21 LINES)  
 Fax: 27-11-394-2476  
 E-Mail: industrialvalve@futurejhb.co.za  
 Web: www.industrialvalve.co.za

Durban: 499 Sydney Rd, Harbour Bridge Park  
 Unit 14, Durban  
 Tel: 27-31-205-0218  
 Fax: 27-31-205-0210  
 E-Mail: iveskzn@futurejhb.co.za

Nelspruit: 19 Tabak Str  
 Nelspruit  
 Tel: 27-13-752-2372  
 Fax: 27-13-752-8079  
 E-Mail: ivesnelspruit@industrialvalve.co.za



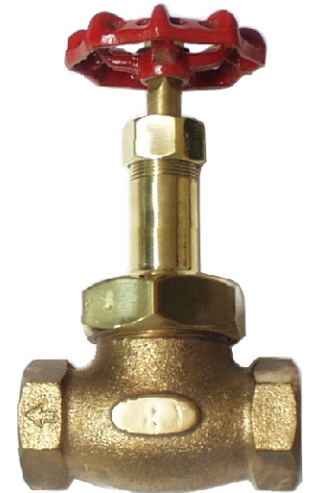
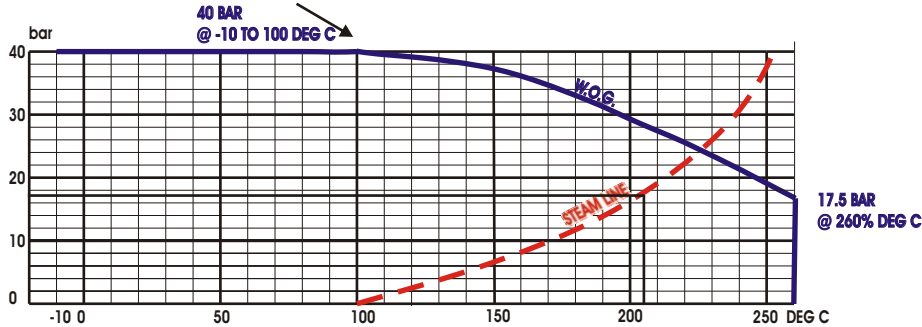
## FIG 1214 BREAKAWAY BRONZE GLOBE VALVE - S/S TRIM 17.5 BAR STEAM

### FEATURES

CONFORMS TO BS 5154  
 RISING SPINDLE, HEAVY DUTY ACME THREAD  
 REPLACEABLE STAINLESS STEEL SEAT AND CLACK  
 BACK SEAT FOR REPACKING UNDER PRESSURE  
 UNION BONNET  
 PTFE PREFORMED GLAND PACKING  
 DEEP STUFFING BOX  
 BS 21 TAPER THREADS  
 SPARES AVAILABLE  
 MANUFACTURED IN SOUTH AFRICA

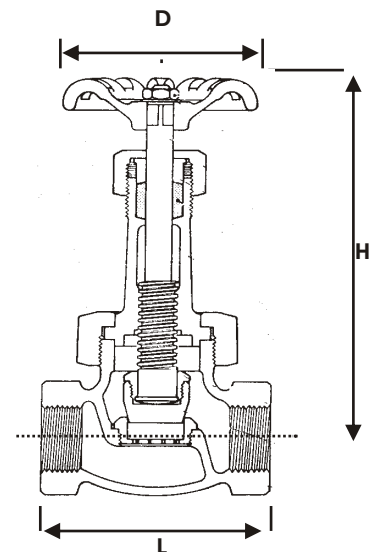
MAX WORKING PRESSURE NON SHOCK		HYDROSTATIC TEST PRESSURE	
MAX STEAM	17,5 BAR @ 204 DEG C	SHELL	SEAT
MAX W.D.G.	40 BAR @ -10 TO 100 DEG C	60 BAR	44 BAR
	17.5 BAR @ 260 DEG C		

### PRESSURE/TEMPERATURE RATINGS



ITEM	SPECIFICATION
HANDWHEEL	CAST IRON
WHEEL NUT	BR-BS2872
NAME PLATE	AL-BS1470
STEM	BR-BS2874
GLAND NUT	BR-BS2872
GLAND RING	BR-BS2874
PACKING	PTFE
BONNET	BR-BS2872
UNION	BR-BS2872
BODY	BZ-BS1400LG2C
SEAT	SS-GR304
CLACK	SS-EN57
CLACK NUT	BR-BS2872

SIZE BSP	L	H	D	MASS KG
8				
10				
15	70	115	62	0.68
20	81	130	72	1.0
25	93	170	88	1.85
32	111	190	116	2.25
40	122	225	116	3.95
50	152	240	116	4.65



ALL SPECIFICATIONS ARE SUBJECT TO CHANGE WITHOUT NOTICE

Breakaway  
VALVES

# TECHNOLOGY AT ITS BEST