

INDUSTRIAL VALVE AND ENGINEERING SUPPLIES (Pty) Ltd. / VEMCO (Pty) Ltd

VAT REG NO: 4280104276 CO REG NO 83/05965/07

VAT REG NO:4200211854 CO REG NO 1979/002851/07



Head Office: 114 Plane Road, Spartan, Gauteng
 Tel: 27-11-394-2066 (21 LINES)
 Fax: 27-11-394-2476
 E-Mail: industrialvalve@futurejhb.co.za
 Web: www.industrialvalve.co.za

Durban: 499 Sydney Rd, Harbour Bridge Park
 Unit 14, Durban
 Tel: 27-31-205-0218
 Fax: 27-31-205-0210
 E-Mail: iveskzn@futurejhb.co.za

Nelspruit: 19 Tabak Str
 Nelspruit
 Tel: 27-13-752-2372
 Fax: 27-13-752-8079
 E-Mail: ivesnelspruit@industrialvalve.co.za



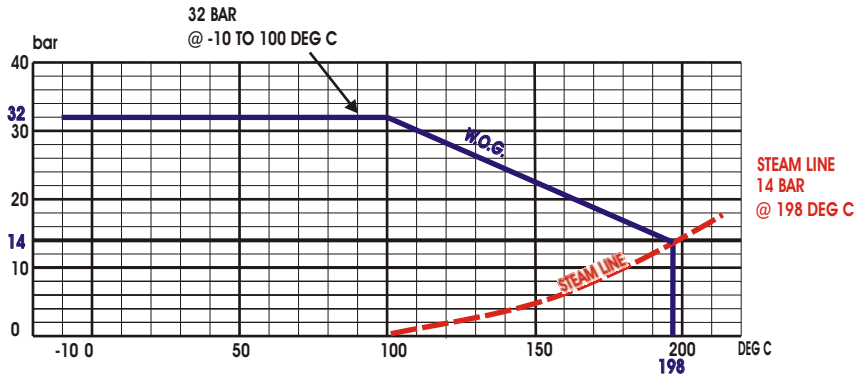
FIG 1120 BREAKAWAY BRONZE GLOBE VALVE - PTFE TRIM 14 BAR STEAM

FEATURES

CONFORMS TO BS 5154
 RISING SPINDLE
 REPLACEABLE AND REVERSIBLE PTFE SEAT
 BACK SEAT FOR REPACKING UNDER PRESSURE
 INTERNAL BONNET
 BS 21 TAPER THREADS
 DEEP STUFFING BOX
 PTFE PREFORMED GLAND PACKING
 SPARES AVAILABLE
 MANUFACTURED IN SOUTH AFRICA

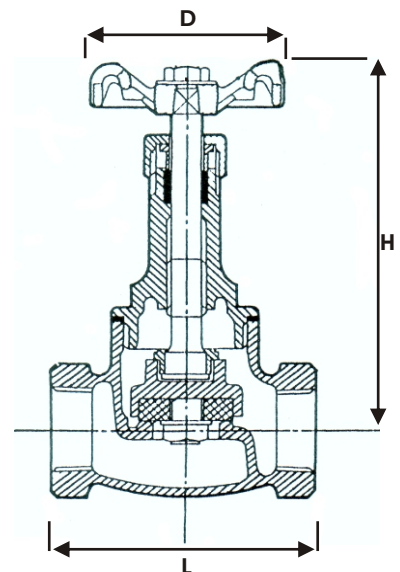
MAX WORKING PRESSURE NON SHOCK		HYDROSTATIC TEST PRESSURE	
MAX STEAM	14 BAR @ 198 DEG C	SHELL	SEAT
MAX W.D.G.	32 BAR @ -10 TO 100 DEG C	37 BAR	25 BAR
	14 BAR @ 198 DEG C		

PRESSURE/TEMPERATURE RATINGS



ITEM	SPECIFICATION
HANDWHEEL	CAST IRON
WHEEL NUT	BR-BS2872
NAME PLATE	AL-BS1470
STEM	BR-BS2874
GLAND NUT	BR-BS2872
GLAND RING	BR-BS2874
PACKING	PTFE
BONNET	BR-BS2872
BODY	BZ-BS1400LG2C
SEAT	BZ-BS1400LG2C
CLACK HOLDER	BR-BS2874
CLACK NUT	BR-BS2872
CLACK SEAT	PTFE

SIZE BSP	L	H	D	MASS KG
8				
10				
15	70	130	62	0.65
20	81	145	72	0.95
25	93	170	88	1.8
32	111	200	116	2.2
40	122	225	116	3.9
50	152	245	116	4.6



ALL SPECIFICATIONS ARE SUBJECT TO CHANGE WITHOUT NOTICE

Break Away
VALVES

TECHNOLOGY AT ITS BEST