

INDUSTRIAL VALVE AND ENGINEERING SUPPLIES (Pty) Ltd. / VEMCO (Pty) Ltd

VAT REG NO: 4280104276 CO REG NO 83/05965/07

VAT REG NO:4200211854 CO REG NO 1979/002851/07



Head Office: 114 Plane Road, Spartan, Gauteng
 Tel: 27-11-394-2066 (21 LINES)
 Fax: 27-11-394-2476
 E-Mail: industrialvalve@futurejhb.co.za
 Web: www.industrialvalve.co.za

Durban: 499 Sydney Rd, Harbour Bridge Park
 Unit 14, Durban
 Tel: 27-31-205-0218
 Fax: 27-31-205-0210
 E-Mail: iveskzn@futurejhb.co.za

Nelspruit: 19 Tabak Str
 Nelspruit
 Tel: 27-13-752-2372
 Fax: 27-13-752-8079
 E-Mail: ivesnelspruit@industrialvalve.co.za



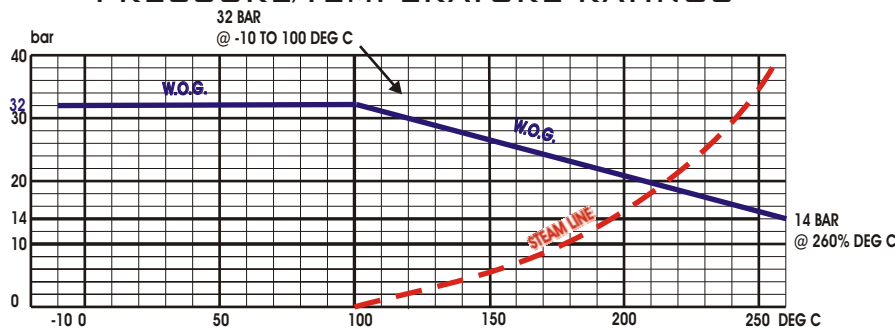
FIG 1113 BREAKAWAY BRONZE GLOBE VALVE - S/S TRIM 14 BAR STEAM

FEATURES

CONFORMS TO BS 5154
 RISING SPINDLE, HEAVY DUTY ACME THREAD
 REPLACEABLE STAINLESS STEEL SEAT AND CLACK
 BACK SEAT FOR REPACKING UNDER PRESSURE
 INTERNAL BONNET
 PTFE PREFORMED GLAND PACKING
 DEEP STUFFING BOX
 BS 21 TAPER THREADS
 SPARES AVAILABLE
 MANUFACTURED IN SOUTH AFRICA

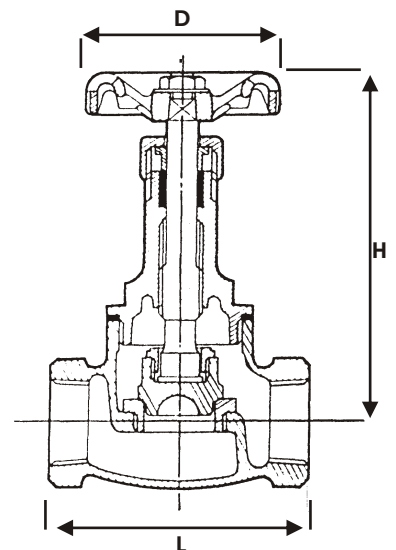
MAX WORKING PRESSURE NON SHOCK		HYDROSTATIC TEST PRESSURE	
MAX STEAM	14 BAR @ 198 DEG C	SHELL	SEAT
MAX W.D.G.	32 BAR @ -10 TO 100 DEG C	48 BAR	35 BAR
	14 BAR @ 260 DEG C		

PRESSURE/TEMPERATURE RATINGS



ITEM	SPECIFICATION
HANDWHEEL	CAST IRON
WHEEL NUT	BR-BS2872
NAME PLATE	AL-BS1470
STEM	BR-BS2874
GLAND NUT	BR-BS2872
GLAND RING	BR-BS2874
PACKING	PTFE
BONNET	BR-BS2872
BODY	BZ-BS1400LG2C
SEAT	SS-GR304
CLACK	SS-EN57
CLACK NUT	BR-BS2872

SIZE BSP	L	H	D	MASS KG
8				
10				
15	70	130	62	0.65
20	81	145	72	0.95
25	93	170	88	1.8
32	111	200	116	2.2
40	122	225	116	3.9
50	152	245	116	4.6



ALL SPECIFICATIONS ARE SUBJECT TO CHANGE WITHOUT NOTICE

Break Away
VALVES

TECHNOLOGY AT ITS BEST