

INDUSTRIAL VALVE AND ENGINEERING SUPPLIES (Pty) Ltd. / VEMCO (Pty) Ltd

VAT REG NO: 4280104276 CO REG NO 83/05965/07

VAT REG NO:4200211854 CO REG NO 1979/002851/07



Head Office: 114 Plane Road, Spartan, Gauteng
 Tel: 27-11-394-2066 (21 LINES)
 Fax: 27-11-394-2476
 E-Mail: industrialvalve@futurejhb.co.za
 Web: www.industrialvalve.co.za

Durban: 499 Sydney Rd, Harbour Bridge Park
 Unit 14, Durban
 Tel: 27-31-205-0218
 Fax: 27-31-205-0210
 E-Mail: iveskzn@futurejhb.co.za

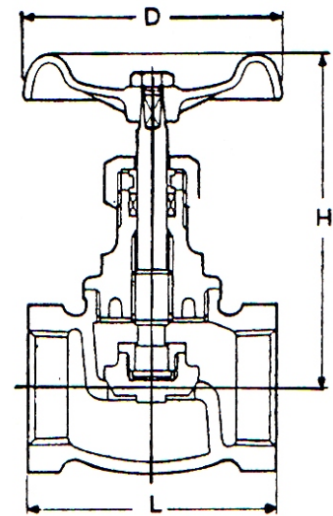
Nelspruit: 19 Tabak Str
 Nelspruit
 Tel: 27-13-752-2372
 Fax: 27-13-752-8079
 E-Mail: ivesnelspruit@industrialvalve.co.za



FIG 1 BRONZE GLOBE VALVE - BRONZE TRIM 200 W.O.G.

SCREWED INTERNAL BONNET, RISING STEM, SWIVEL DISC,
 INTEGRAL SEAT, THREADED ENDS TO BS 21
 14 BAR W.O.G. NON SHOCK 0-100 DEG C
 7 BAR SATURATED STEAM PRESSURE @165 DEG C
 HYDROSTATIC TEST PRESSURE: SHELL 32 BAR
 SEAT 20 BAR

**N.B. ALTHOUGH THIS VALVE IS STEAM RATED
 WE DO NOT RECOMMEND IT FOR STEAM USAGE**



DIMENSIONS (l/h/d DIMENSIONS are BRONZE)

Valve size	mm									
	inch	1/2	3/4	1	1 1/4	1 1/2	2	2 1/2	3	4
	mm	15	20	25	32	40	50	65	80	100
L/l End to end		41/50	44/55	51/65	62/74	68/83	80/99	94	112	138
H/h Height, valve open		65/71	70/83	82/99	100/109	114/125	132/151	160	176	225
D/d Handwheel dim.		52/50	54/56	57/60	68/77	76/80	86/100	92	110	120
Weight Kg		0.3	0.4	1.0	1.2	1.5	2			

ITEM	MATERIAL
BODY	BRONZE
BONNET	BRASS
STEM	BRASS
DISC	BRONZE
LOCK NUT	BRASS ROD
PACKING NUT	BRASS
GLAND	BRASS ROD
GLAND PACKING	ARAMID FIBRE PTFE
HANDWHEEL	CAST IRON

ALL SPECIFICATIONS ARE SUBJECT TO CHANGE WITHOUT NOTICE

Break Away
VALVES

TECHNOLOGY AT ITS BEST