

INDUSTRIAL VALVE AND ENGINEERING SUPPLIES (Pty) Ltd. / VEMCO (Pty) Ltd

VAT REG NO: 4280104276 CO REG NO 83/05965/07

VAT REG NO:4200211854 CO REG NO 1979/002851/07



Head Office: 114 Plane Road, Spartan, Gauteng
 Tel: 27-11-394-2066 (21 LINES)
 Fax: 27-11-394-2476
 E-Mail: industrialvalve@futurejhb.co.za
 Web: www.industrialvalve.co.za

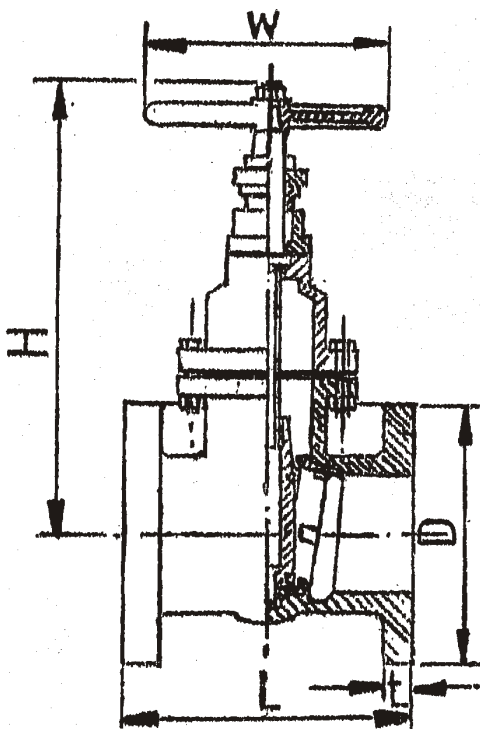
Durban: 499 Sydney Rd, Harbour Bridge Park
 Unit 14, Durban
 Tel: 27-31-205-0218
 Fax: 27-31-205-0210
 E-Mail: iveskzn@futurejhb.co.za

Nelspruit: 19 Tabak Str
 Nelspruit
 Tel: 27-13-752-2372
 Fax: 27-13-752-8079
 E-Mail: ivesnelspruit@industrialvalve.co.za



FIG 9 CAST IRON GATE VALVE NON RISING SPINDLE

CLASS 125, WEDGE DISC, NON RISING STEM, IS, BRONZE TRIM,
 FLANGED ANSI 125 CONFORMING TO AMERICAN STANDARDS
 ANSI B16.1, ANSI B16.10 AND MSS. SP-70
 SUITABLE FOR 14 BAR @66 DEG C / 8,6 BAR AT 232 DEG C



ITEM	MATERIAL
BODY	CAST IRON ASTM A126B
BONNET	CAST IRON ASTM A126B
DISC	C.I. WITH BRONZE FACINGS
DISC BUSHING	BRONZE ASTM B62
BODY SEAT RINGS	BRONZE ASTM B62
STEM	BRONZE ASTM B16
HANDWHEEL	CAST IRON ASTM A126B

SIZE MM	50	65	80	100	125	150	200	250	300
L	178	191	203	229	254	267	292	330	356
D	152	178	191	229	254	279	343	406	483
T	16	18	19	24	24	25	29	30	32
W	180	180	200	260	300	300	350	400	450
H	298	321	375	430	454	550	678	750	880
MASS KG	18	22	26	48	66	80	141	202	283

SHELL TEST	WATER	350 PSIG	2,41 MPA
SEAT TEST	WATER	200 PSIG	1,38 MPA

ALL SPECIFICATIONS ARE SUBJECT TO CHANGE WITHOUT NOTICE

Break Away
VALVES

TECHNOLOGY AT ITS BEST

INDUSTRIAL VALVE AND ENGINEERING SUPPLIES (Pty) Ltd. / VEMCO (Pty) Ltd

VAT REG NO: 4280104276 CO REG NO 83/05965/07

VAT REG NO:4200211854 CO REG NO 1979/002851/07



Head Office: 114 Plane Road, Spartan, Gauteng
 Tel: 27-11-394-2066 (21 LINES)
 Fax: 27-11-394-2476
 E-Mail: industrialvalve@futurejhb.co.za
 Web: www.industrialvalve.co.za

Durban: 499 Sydney Rd, Harbour Bridge Park
 Unit 14, Durban
 Tel: 27-31-205-0218
 Fax: 27-31-205-0210
 E-Mail: iveskzn@futurejhb.co.za

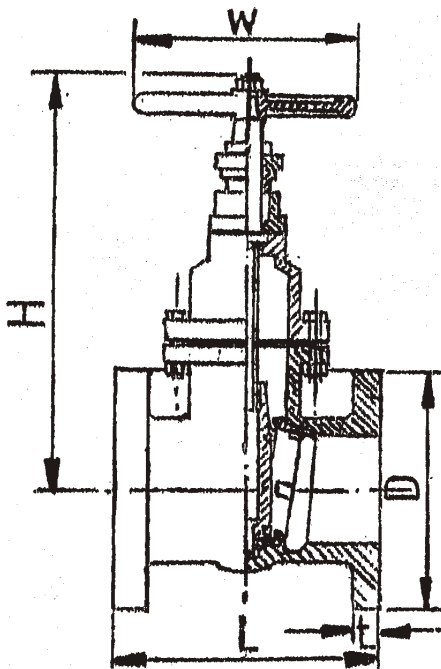
Nelspruit: 19 Tabak Str
 Nelspruit
 Tel: 27-13-752-2372
 Fax: 27-13-752-8079
 E-Mail: ivesnelspruit@industrialvalve.co.za



FIG 9

CAST IRON GATE VALVE NON RISING SPINDLE

CLASS 125, WEDGE DISC, NON RISING STEM, IS, BRONZE TRIM,
 FLANGED ANSI 125 CONFORMING TO AMERICAN STANDARDS
 ANSI B16.1, ANSI B16.10 AND MSS. SP-70
 SUITABLE FOR 10 BAR @66 DEG C AND
 6,9 BAR AT 175 DEG C (UP TO AND INCLUDING 600MM)
 OR 3 BAR AT 150 DEG C (FROM 750MM UPWARDS)



ITEM	MATERIAL
BODY	CAST IRON ASTM A126B
BONNET	CAST IRON ASTM A126B
DISC	C.I. WITH BRONZE FACINGS
DISC BUSHING	BRONZE ASTM B62
BODY SEAT RINGS	BRONZE ASTM B62
STEM	BRONZE ASTM B16
HANDWHEEL	CAST IRON ASTM A126B

SIZE MM	350	400	450	500	600	750	900
L	381	406	432	457	500	610	711
D	533	597	635	699	813	984	1168
T	32	37	40	43	48	54	60
W	508	558	610	610	762	762	762
H	940	1080	1180	1380	1460	2140	2340
MASS KG	375	497	600	892	1170	2320	3810

SHELL TEST	WATER	265 PSIG	1,83 MPA
SEAT TEST	WATER	150 PSIG	1,03 MPA

ALL SPECIFICATIONS ARE SUBJECT TO CHANGE WITHOUT NOTICE

Break Away
VALVES

TECHNOLOGY AT ITS BEST