

INDUSTRIAL VALVE AND ENGINEERING SUPPLIES (Pty) Ltd. / VEMCO (Pty) Ltd

VAT REG NO: 4280104276 CO REG NO 83/05965/07

VAT REG NO:4200211854 CO REG NO 1979/002851/07



Head Office: 114 Plane Road, Spartan, Gauteng
 Tel: 27-11-394-2066 (21 LINES)
 Fax: 27-11-394-2476
 E-Mail: industrialvalve@futurejhb.co.za
 Web: www.industrialvalve.co.za

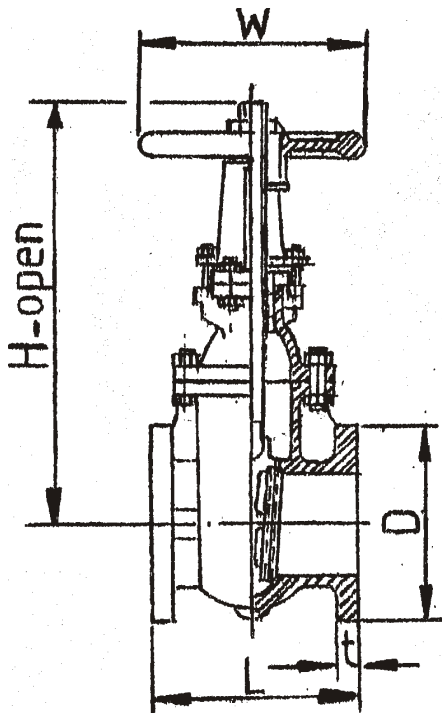
Durban: 499 Sydney Rd, Harbour Bridge Park
 Unit 14, Durban
 Tel: 27-31-205-0218
 Fax: 27-31-205-0210
 E-Mail: iveskzn@futurejhb.co.za

Nelspruit: 19 Tabak Str
 Nelspruit
 Tel: 27-13-752-2372
 Fax: 27-13-752-8079
 E-Mail: ivesnelspruit@industrialvalve.co.za



FIG 10 CAST IRON GATE VALVE RISING SPINDLE

CLASS 125, WEDGE DISC, RISING STEM, OS&Y, BRONZE TRIM, FLANGED ANSI 125 CONFORMING TO AMERICAN STANDARDS ANSI B16.1, ANSI B16.10 AND MSS. SP-70 SUITABLE FOR 14 BAR @66 DEG C / 8,6 BAR AT 232 DEG C



| ITEM | MATERIAL |
|-----------------|--------------------------|
| BODY | CAST IRON ASTM A126B |
| BONNET | CAST IRON ASTM A126B |
| DISC | C.I. WITH BRONZE FACINGS |
| YOLK SLEEVE | BRONZE ASTM B62 |
| BODY SEAT RINGS | BRONZE ASTM B62 |
| STEM | BRONZE ASTM B16 |
| HANDWHEEL | CAST IRON ASTM A126B |

| SIZE MM | 50 | 65 | 80 | 100 | 125 | 150 | 200 | 250 | 300 |
|---------|-----|-----|-----|-----|-----|-----|-----|------|------|
| L | 178 | 191 | 203 | 229 | 254 | 267 | 292 | 330 | 356 |
| D | 152 | 178 | 191 | 229 | 254 | 279 | 343 | 406 | 483 |
| T | 16 | 18 | 19 | 24 | 24 | 25 | 29 | 30 | 32 |
| W | 180 | 180 | 200 | 260 | 300 | 300 | 350 | 400 | 450 |
| H | 368 | 413 | 464 | 490 | 576 | 680 | 808 | 1010 | 1086 |
| MASS KG | 19 | 24 | 29 | 50 | 71 | 88 | 152 | 214 | 294 |

| | | | |
|------------|-------|----------|----------|
| SHELL TEST | WATER | 350 PSIG | 2,41 MPA |
| SEAT TEST | WATER | 200 PSIG | 1,38 MPA |

ALL SPECIFICATIONS ARE SUBJECT TO CHANGE WITHOUT NOTICE

Break Away
VALVES

TECHNOLOGY AT ITS BEST

INDUSTRIAL VALVE AND ENGINEERING SUPPLIES (Pty) Ltd. / VEMCO (Pty) Ltd

VAT REG NO: 4280104276 CO REG NO 83/05965/07

VAT REG NO:4200211854 CO REG NO 1979/002851/07



Head Office: 114 Plane Road, Spartan, Gauteng
 Tel: 27-11-394-2066 (21 LINES)
 Fax: 27-11-394-2476
 E-Mail: industrialvalve@futurejhb.co.za
 Web: www.industrialvalve.co.za

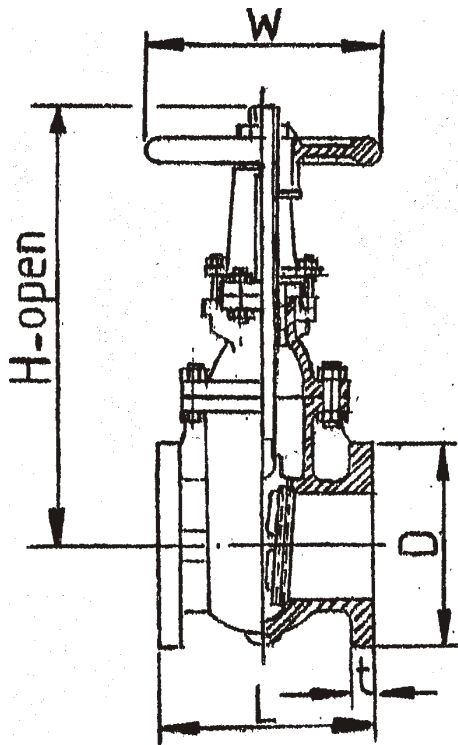
Durban: 499 Sydney Rd, Harbour Bridge Park
 Unit 14, Durban
 Tel: 27-31-205-0218
 Fax: 27-31-205-0210
 E-Mail: iveskzn@futurejhb.co.za

Nelspruit: 19 Tabak Str
 Nelspruit
 Tel: 27-13-752-2372
 Fax: 27-13-752-8079
 E-Mail: ivesnelspruit@industrialvalve.co.za



FIG 10

CAST IRON GATE VALVE RISING SPINDLE



| ITEM | MATERIAL |
|-----------------|--------------------------|
| BODY | CAST IRON ASTM A126B |
| BONNET | CAST IRON ASTM A126B |
| DISC | C.I. WITH BRONZE FACINGS |
| YOLK SLEEVE | BRONZE ASTM B62 |
| BODY SEAT RINGS | BRONZE ASTM B62 |
| STEM | BRONZE ASTM B16 |
| HANDWHEEL | CAST IRON ASTM A126B |

| SIZE MM | 350 | 400 | 450 | 500 | 600 |
|---------|------|------|------|------|------|
| L | 381 | 406 | 432 | 457 | 508 |
| D | 533 | 597 | 635 | 699 | 813 |
| T | 32 | 36 | 40 | 43 | 48 |
| W | 508 | 558 | 610 | 610 | 762 |
| H | 1640 | 1804 | 2095 | 2490 | 2960 |
| MASS KG | 450 | 580 | 760 | 935 | 1260 |

| | | | |
|------------|-------|----------|----------|
| SHELL TEST | WATER | 350 PSIG | 2,41 MPA |
| SEAT TEST | WATER | 200 PSIG | 1,38 MPA |

ALL SPECIFICATIONS ARE SUBJECT TO CHANGE WITHOUT NOTICE

Break Away
VALVES

TECHNOLOGY AT ITS BEST